

Moduli 4 - 8 - 16 relè disponibili nelle versioni con o senza porta fusibili
 4 - 8 - 16 relay modules available with or without fuse holders

Portata contatti 10 A 250 V - Contacts capacity 10A 250V

Segnale di comando universale (Vac/dc) - Universal drive signal (Vac/dc)

Led verde indicazione presenza alimentazione
 Green led for power ON indication

Led gialli, per ciascun canale, indicazione relè eccitato
 Yellow led, for each channel, for relay ON indication

Conessioni di ingresso e di uscita: morsettiere a vite per conduttori diam. max 2,5mm²
 (versione estraibile opzione)

Input and output connections: screw terminal for leads max diam. 2,5mm²
 (pluggable version option)

Diode di sicurezza, contro inversione polarità alimentazione
 Diode for supply reverse polarity protection

Diode antiparallelo sulle bobine di eccitazione
 Clamping diode on excitation coils

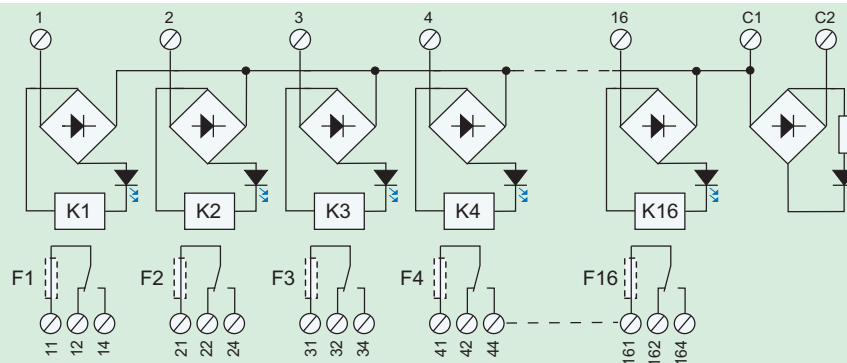
Circuito stampato doppio strato (approvazione UR)
 Dual layer PCB (UR approval)

Supporto in materiale autoestinguente UL 94-V0
 UL 94-V0 self-extinguishing case

Esecuzione per aggancio su barra DIN EN50022 e EN50035
 Execution for DIN EN50022 and EN50035 rail mounting



SCHEMA ELETTRICO - WIRING DIAGRAM



COME ORDINARE - HOW TO ORDER

Sigla - Part Number	Codice - Code	Comando - Drive signal	Dimensioni - Dimensions (mm)	Uscita - Output
ET-MRZ04/24AC-DC/SC	0101	24Vac/dc	79 x 92 x 74 (L/W x H x P)	scambio SPDT
ET-MRZ04/48AC-DC/SC	0131	48Vac/dc	79 x 92 x 74 (L/W x H x P)	
ET-MRZ04/110AC/SC	0134	110Vac	79 x 92 x 74 (L/W x H x P)	
ET-MRZ04/220AC/SC	0133	230Vac	79 x 92 x 74 (L/W x H x P)	
ET-MRZ08/24AC-DC/SC	0105	24Vac/dc	137 x 92 x 74 (L/W x H x P)	
ET-MRZ08/48AC-DC/SC	0140	48Vac/dc	137 x 92 x 74 (L/W x H x P)	
ET-MRZ08/110AC/SC	0144	110Vac	137 x 92 x 74 (L/W x H x P)	
ET-MRZ08/220AC/SC	0143	230Vac	137 x 92 x 74 (L/W x H x P)	
ET-MRZ16/24AC-DC/SC	0109	24Vac/dc	272 x 92 x 74 (L/W x H x P)	
ET-MRZ16/48AC-DC/SC	0160	48Vac/dc	272 x 92 x 74 (L/W x H x P)	
ET-MRZ16/110AC/SC	0163	110Vac	272 x 92 x 74 (L/W x H x P)	
ET-MRZ16/220AC/SC	0169	230Vac	272 x 92 x 74 (L/W x H x P)	
ET-MRZ04/24AC-DC/SC/F	0100	24Vac/dc	79 x 92 x 74 (L/W x H x P)	scambio con portafusibili SPDT with fuse holders
ET-MRZ04/48AC-DC/SC/F	0135	48Vac/dc	79 x 92 x 74 (L/W x H x P)	
ET-MRZ04/110AC/SC/F	0138	110Vac	79 x 92 x 74 (L/W x H x P)	
ET-MRZ04/220AC/SC/F	0137	230Vac	79 x 92 x 74 (L/W x H x P)	
ET-MRZ08/24AC-DC/SC/F	0104	24Vac/dc	137 x 92 x 74 (L/W x H x P)	
ET-MRZ08/48AC-DC/SC/F	0145	48Vac/dc	137 x 92 x 74 (L/W x H x P)	
ET-MRZ08/110AC/SC/F	0148	110Vac	137 x 92 x 74 (L/W x H x P)	
ET-MRZ08/220AC/SC/F	0149	230Vac	137 x 92 x 74 (L/W x H x P)	
ET-MRZ16/24AC-DC/SC/F	0108	24Vac/dc	272 x 92 x 74 (L/W x H x P)	
ET-MRZ16/48AC-DC/SC/F	0165	48Vac/dc	272 x 92 x 74 (L/W x H x P)	
ET-MRZ16/110AC/SC/F	0168	110Vac	272 x 92 x 74 (L/W x H x P)	
ET-MRZ16/220AC/SC/F	0194	230Vac	272 x 92 x 74 (L/W x H x P)	