

## MSI-SR4, Differences in Performance

### Competition to the previous MSI-Relays

#### Agenda

MSI-Housing

Differences in Performance

Terminal-Overview

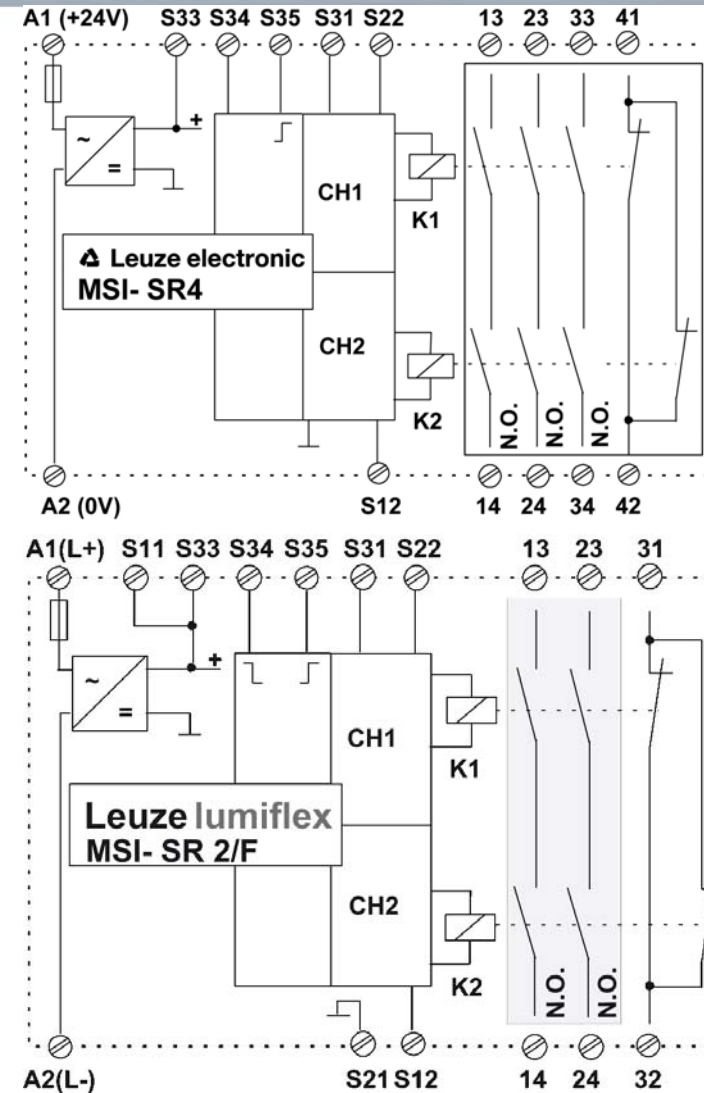
Connecting

	<b>MSI-SR1</b>	<b>MSI-SR2</b>	<b>MSI-SR2/F</b>	<b>MSI-SR4</b>
▪ EN ISO 13849	no	no	no	yes
▪ Cat./Safety-circ. in	1/1	4/2	4/2	4/2
▪ Release-circuits out	3	2	2	3
▪ Response time	40ms	20ms	20ms	10ms
▪ Pick-up del. man. st.	50ms	70ms	70ms	30ms
▪ Pick-up del. aut. st.	50ms	0,5 - 1s	230ms	300ms
▪ Status-LED	2(P,1+2)	3(P,1,2)	3(P,1,2)	4(P,1,2,RES)
▪ Temperature, act.	-25/+55°	0/+50°	0/+50°	0/+55°

## MSI-SR4 to MSI-SR2/F, internal Schematic

### Interne Schematik

- S33 = + (Out)
- S34 = autom. (Out)
- S35 = man./autom. (In)
- S31 = AOPD2+ (In)
- S22 = AOPD2- (In)
- S12 = AOPD1+ (In)
  
- S11, S33 = + (Out)
- S34 = man./EDM (In)
- S35 = autom./EDM (In)
- S31 = AOPD2+ (In)
- S22 = AOPD2- (In)
- S12 = AOPD1+ (In)



#### Agenda

MSI-Housing

Differences in Performance

Terminal-Overview

Connecting