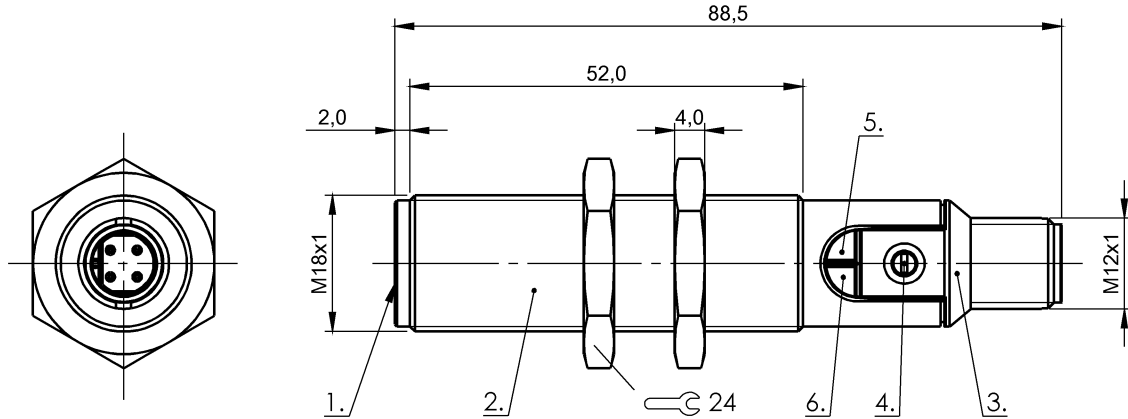


BCS M18BBI3-PSC80D-S04K
Ordering code: BCS00M8

Capacitive sensor
 GlobalProx

Connector, M12x1-S04
 Working range 1...8 mm
 Output signal PNP, Normally open (NO)
 Flush (shielded)

BALLUFF
 sensors worldwide



1) Active surface, 2) Housing, 3) Top cover, 4) Pot, 5) LED Power, 6) LED function indicator

Characteristic data

Technology	Standard
Power-on indicator	Yes
Function indicator	Yes
Short-circuit protected	Yes
Protected against polarity reversal	Yes
Protected against reverse connection	No

Electrical data

Electrical version	DC, direct current
Operating voltage	10...30 V DC
Rated operating voltage Ue DC	24,0 V
Effective operating current Ie	100 mA
Rated insulation voltage Ui	75 V DC
No-load current I ₀ damped	18 mA
No-load current I ₀ undamped	15 mA
Ready delay t _v max.	300 ms
Voltage drop static max.	1,5 V
Ripple max. (% of Ue)	10 %
Switching freq. f max.	100 Hz

Hysteresis H max. (in % of Sr) 15 %

Mechanical data

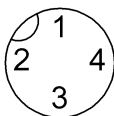
Rated operating distance S _n	8 mm
Temp. drift max. (% of Sr)	20 [-5...+55 °C]
Ambient temperature	-25...85 °C
Housing material	PBT
Sensing surface material	PBT
Cover material	PBT / PA
Repeat accur. R max. (% of Sr)	2 %
Tightening torque max.	2 Nm

Basic data

Degree of protection as per IEC 60529	IP67
Protection class	II
Basic standard	IEC 60947-5-2
Utilisation category	DC 13

Remarks

Scope of delivery 2 nuts



BCS M18BBI3-PSC80D-S04K
Ordering code: BCS00M8

Capacitive sensor
GlobalProx

Connector, M12x1-S04
Working range 1...8 mm
Output signal PNP, Normally open (NO)
Flush (shielded)

BALLUFF
sensors worldwide

