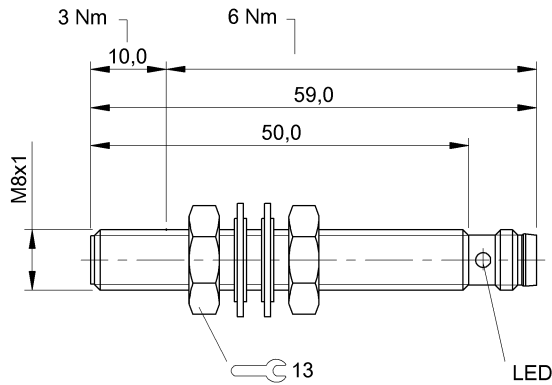


BES M08MI-PSC20B-S49G
Ordering code: BES003P

Inductive sensor
 Global
 M08x59 mm

DC, direct current
 PNP/Normally open (NO)
 Sn= 2 mm
 Flush (shielded)
 ■■

BALLUFF
sensors worldwide



Characteristic data

Assured operating distance Sa	1,6
Eff. switching distance Sr	2,00 mm
Tolerance Sr	±10 %
Hysteresis H max. (in % of Sr)	15 %
Repeat accur. R max. (% of Sr)	5 %
Ambient temperature	-25...70 °C
Temp. drift max. (% of Sr)	10 %
Switching freq. f max.	700 Hz
Ready delay tv max.	30 ms
Utilisation category	DC 13
Function indicator	Yes
Power indicator	No
Short-circuit protected	Yes
Protected against polarity reversal	Yes
Protected against miswiring	Yes
Enclosure Type per IEC 60529	IP67

Electrical data

Operating voltage	12...30 V DC
Ripple max. (% of Ue)	15
Rated operating voltage Ue DC	24,0 V
Voltage drop static max.	2,5 V
Rated insulation voltage Ui	75 DC
Effective operating current Ie	200 mA
No-load current Io damped max.	10 mA
Max. no-load cur. Io undamped	5 mA

Off-state current Ir max.	20 µA
Minimum operating current Im	0 mA
Rated short circuit current	100 A
Output resistance Ra	33.0k + D
Load capacitance max. (at Ue)	1 µF

Mechanical data

Connection type	Connector
Connector type	M08x1-S49
Housing material	CuZn
Oberflächenschutz	Nickel-plated
Sensing surface material	PA 12
Mounting length	50 mm
Shock rating	Shock, half-sinus, 30 gn, 11ms
Vibration rating	55 Hz, 1 mm ampl., 3x30 min
Degree of contamination	3
Tightening torque	3 Nm / 6 Nm

Basic data

Basic standard	IEC 60947-5-2
----------------	---------------

Remarks

The sensor is functional again after the overload has been eliminated.
 Embeddable: See installation notes for inductive sensors with extended switching distance 825357.
 With connector, e.g. BKS-S 49-... total length = switch length +12 mm.



BES M08MI-PSC20B-S49G
Ordering code: BES003P

Inductive sensor
Global
M08x59 mm

DC, direct current
PNP/Normally open (NO)
Sn= 2 mm
Flush (shielded)
■ ■

BALLUFF

sensors worldwide

