

# DVP-SE

## Instruction Sheet

### 安 裝 說 明 安 装 说 明

Network Type Advanced Slim PLC

網路型進階薄型主機

网络型进阶薄型主机

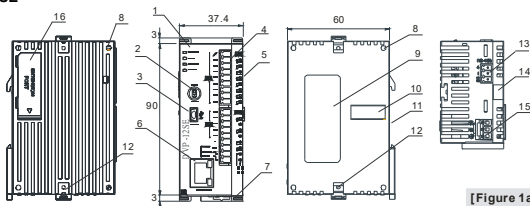
DVP-0360030-01  
20211104

Thank you for choosing Delta DVP-SE. DVP-SE features both 12-point (8DI + 4DO) and 26-point (14DI + 12DO) in-built PLC MPUs, offering various instructions and with 16k steps program memory, able to connect to all DVP Slim type series extension modules and high-speed extension modules, including digital I/O (max. 480 I/O points) and analog modules (for A/D, D/A conversion and temperature measurement). 2 points of 100 kHz and 2 points of 10 kHz high-speed pulse output satisfy all kinds of applications. DVP-SE is small in size, and can be installed easily. Users do not have to install any batteries in DVP-SE series PLCs. The PLC programs and the latched data are stored in the high-speed flash memories.

- EN ✘ DVP-SE is an OPEN-TYPE device. It should be installed in a control cabinet free of airborne dust, humidity, electric shock and vibration. To prevent non-maintenance staff from operating DVP-SE, or to prevent an accident from damaging DVP-SE, the control cabinet in which DVP-SE is installed should be equipped with a safeguard. For example, the control cabinet in which DVP-SE is installed can be unlocked with a special tool or key.
- EN ✘ DO NOT connect AC power to any of I/O terminals, otherwise serious damage may occur. Please check all wiring again before DVP-SE is powered up. After DVP-SE is disconnected, Do NOT touch any terminals in a minute. Make sure that the ground terminal ⚡ on DVP-SE is correctly grounded in order to prevent electromagnetic interference.
- FR ✘ DVP-SE est un module OUVERT. Il doit être installé que dans une enceinte protectrice (boîtier, armoire, etc.) saine, dépourvue de poussière, d'humidité, de vibrations et hors d'atteinte des chocs électriques. La protection doit éviter que les personnes non habilitées à la maintenance puissent accéder à l'appareil (par exemple, une clé ou un outil doivent être nécessaire pour ouvrir a protection).
- FR ✘ Ne pas appliquer la tension secteur sur les bornes d'entrées/Sorties, ou l'appareil DVP-SE pourra être endommagé. Merci de vérifier encore une fois le câblage avant la mise sous tension du DVP-SE. Lors de la déconnection de l'appareil, ne pas toucher les connecteurs dans la minute suivante. Vérifier que la terre est bien reliée au connecteur de terre ⚡ afin d'éviter toute interférence électromagnétique.

## ■ Product Profiles

### • 12SE

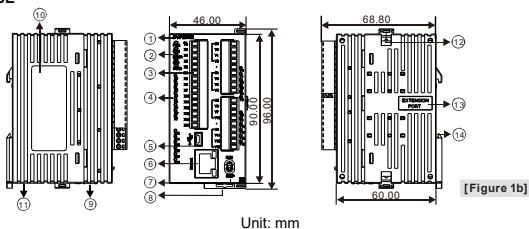


[Figure 1a]

Unit: mm

1. POWER, RUN, ERROR, COM1 indicator	9. Nameplate
2. RUN/STOP switch	10. Right-side extension port
3. COM1 port (Mini USB)	11. DIN rail mounting slot (35mm)
4. I/O terminals and COM3 comm. port (RS-485)	12. Extension unit clip
5. I/O point and COM2, COM3 indicator	13. COM2 communication port (RS-485)
6. Ethernet communication port	14. Mounting rail for extension module
7. DIN rail clip	15. DC power input
8. Mounting hole for extension module	16. Left-side module connection port

• 26SE



Unit: mm

1. Model name	8. DIN rail clip
2. POWER, RUN, ERROR, USB, COM2 indicator	9. RS-485 communication port
3. I/O terminals	10. Label
4. I/O indicator	11. DC power input
5. I/O port for program communication (Mini USB)	12. Extension unit clip
6. Ethernet communication port	13. Extension port
7. RUN/STOP switch	14. DIN rail mounting slot (35mm)

## ■ Electrical Specifications

DVP Model	12SE11R	12SE11T	26SE11R	26SE11T	26SE11S
Power supply voltage	24 VDC (-15 to 20%) (with counter-connection protection on the polarity of DC input power) DVPPS01/PS02: input 100 to 240 VAC, output 24 VDC/1A (PS02: 2A)				
Connector	European standard removable terminal block (Pin pitch: 3.5 mm)				
Operation	Maximum power loss time is 10 ms or less.				
Max inrush current	7.5 A@24 VDC, I <sup>2</sup> t = 0.25 A <sup>2</sup> S				
Fuse capacity	2.5 A/30 VDC, Polyswitch				
Power consumption	1.8 W	1.5 W	3W	1.8W	1.7W
Power protection	With counter-connection protection on the polarity of DC input power				
Insulation resistance	> 5 MΩ (all I/O point-to-ground: 500 VDC)				
Noise immunity	ESD (IEC 61131-2, IEC 61000-4-2): 8kV Air Discharge EFT (IEC 61131-2, IEC 61000-4-4): Power Line: 2kV, Digital I/O: 1kV, Analog & Communication I/O: 1kV RS (IEC 61131-2, IEC 61000-4-3): 26MHz ~ 1GHz, 10V/m				
Grounding	The diameter of grounding wire cannot be smaller than the wire diameter of terminals L and N (All DVP units should be grounded directly to the ground pole).				
Operation / storage	Operation: 0 to 55°C (temp.), 50 to 95% (humidity), Pollution degree 2 Storage: -25 to 70°C (temp.), 5 to 95% (humidity); incondensable.				
Vibration / shock resistance	International standards: IEC61131-2, IEC 68-2-6 (TEST Fc)/IEC61131-2 & IEC 68-2-27 (TEST Ea)				
Weight (g)	145g	135g	175g	135g	135g

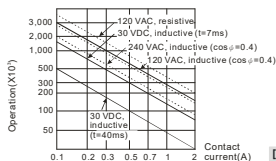
Item	Model	24 VDC (-15 to 20%) single common port input	
		12SE / 26SE	26SE
Input No.		X0 ~ X2 (12SE) X0 ~ X3 (26SE)	X3 ~ X7 (12SE) X4 ~ X7 (26SE) X10~X15
Input type		S/S connection (SINK or SOURCE)	

Item	Model	24 VDC (-15 to 20%) single common port input		
		12SE / 26SE		26SE
Input current ( $\pm 10\%$ )		24 VDC · 5 mA		
Input impedance		4.7 k $\Omega$		
Max. frequency		100 kHz	10 kHz	50Hz
Action level	Off → On	> 15 VDC		
	On → Off	< 5 VDC		
Response time	Off → On	< 2.5 $\mu$ s	< 20 $\mu$ s	<10ms
	On → Off	< 5 $\mu$ s	< 50 $\mu$ s	<10ms
Filter time		X0~X7 : Adjustable within 0 ~ 20 ms by D1020 (Default: 10 ms) X10~X15 : Adjustable within 0 ~ 20 ms by D1021 (Default: 10 ms)		

Item	Spec.	Output Points				
		Relay		Transistor (NPN & PNP)		
Output No.		Y0 ~ Y13		Y0, Y2	Y1, Y3	Y4~Y13
Max. frequency		1 Hz		100 kHz	10 kHz	1kHz <sup>#4</sup>
Working voltage		100~250 VAC, 5~30 VDC		5 ~ 30 VDC <sup>#1</sup>		
Leak current		-		<100 $\mu$ A		
Max. Inrush current		-		Transistor-T (Sink): 10 A Transistor-S (Source): 4 A (When Ta=25°C, VDS=30 VDC and inrush time=1ms)		
Max. load	Resistive	1.5 A /1point (5 A/COM)		0.5 A/1 point ( 4 A/COM )		
	Inductive	#2		15 W ( 30 VDC )		
	Lamp	20 WDC/100 WAC		2.5 W ( 30 VDC )		
Min. load		1mA / 5V		1mA/5V		
Response time	Off → On	Approx.10 ms		2 $\mu$ s <sup>#3</sup>	20 $\mu$ s <sup>#3</sup>	100 $\mu$ s <sup>#3</sup>
	On → Off			3 $\mu$ s <sup>#3</sup>	30 $\mu$ s <sup>#3</sup>	300 $\mu$ s <sup>#3</sup>

#1: UP, ZP must work with external auxiliary power supply 24 VDC (-15 to +20%), rated consumption approx. 1mA/point.

#2: Lives of relay contacts would vary according to operation voltage, types of load (cos $\phi$ : power factor, t: time constant) and current flow at contacts. Refer to the below lifecycle graph for the estimated number of operations.



[ Figure 2 ]

#3: Load = 0.5A

#4: Maximum output speed would be impacted by the actual PLC scan time.

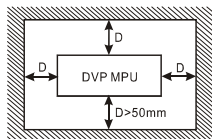
## I/O Configuration

Model	Input		Output		I/O Configuration			
	Point	Type	Point	Type	Relay	Transistor		
DVP12SE11R	8	DC (Sink Or Source)	4	Relay	S/S X0 X1 X2 X3 X4 X5 X6 X7	S/S X0 X1 X2 X3 X4 X5 X6 X7		
DVP12SE11T				Transistor (NPN)	C0 Y0 Y1 Y2 Y3 ● SG COM3+ COM3-	Y0 Y1 Y2 Y3 UP ZP SG COM3+ COM3-		
DVP26SE11R	14	DC (Sink Or Source)	12	Relay	S/S X0 X1 X2 X3 X4 X5 X6 X7	C0 Y0 Y1 Y2 ● C1 Y3 Y4 Y5	S/S X0 X1 X2 X3 X4 X5 X6 X7	UP0 ZP0 Y0 Y1 Y2 Y3 Y4 Y5 Y6
DVP26SE11T				Transistor (NPN)	X10 X11 X12 X13 X14 X15	C2 Y6 Y7 Y10 ● C3 Y11 Y12 Y13	X10 X11 X12 X13 X14 X15	Y7 ● UP1 ZP1 Y10 Y11 Y12 Y13 ●
DVP26SE11S				Transistor (PNP)				

## Dimension & Installation

Please install the PLC in an enclosure with sufficient space around it to allow heat dissipation, See [Figure 3].

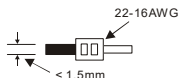
- Direct Mounting:** Use M4 screw according to the dimension of the product.
- DIN Rail Mounting:** When mounting the PLC to 35mm DIN rail, be sure to use the retaining clip to stop any side-to-side movement of the PLC and reduce the chance of wires being loose. The retaining clip is at the bottom of the PLC. To secure the PLC to DIN rail, pull down the clip, place it onto the rail and gently push it up. To remove the PLC, pull the retaining clip down with a flat screwdriver and remove the PLC from DIN rail.



[ Figure 3 ]

## Wiring

- Use 22-16AWG (1.5mm) single or multiple core wire on I/O wiring terminals. See the figure in the right hand side for its specification. PLC terminal screws should be tightened to 1.90 kg-cm (1.65 in-lbs) and please use only 60/75°C copper conductor.



- DO NOT wire empty terminal. DO NOT place the I/O signal cable in the same wiring circuit.
- DO NOT drop tiny metallic conductor into the PLC while screwing and wiring. Tear off the sticker on the heat dissipation hole for preventing alien substances from dropping in to ensure normal heat dissipation of the PLC.

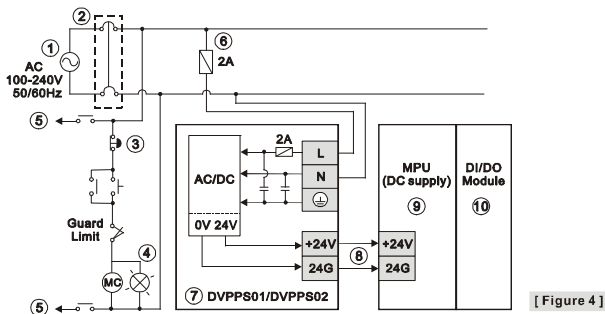
## ◆ Power Supply

The power input of DVP-SE is DC. When operating DVP-SE please note the following points:

1. The power is connected to two terminals, 24 VDC and 0 V, and the range of power is 20.4 to 28.8 VDC. If the power voltage is less than 17.5 VDC, the PLC will stop running, all outputs will go "Off", and the ERROR indicator will start to blink continuously.
2. The power shutdown for less than 10ms will not affect the operation of the PLC. However, the shutdown time that is too long or the drop of power voltage will stop the operation of the PLC, and all outputs will go off. When the power returns to normal status, the PLC will automatically resume the operation. (Please take care of the latched auxiliary relays and registers inside the PLC when doing the programming).

## ◆ Safety Wiring

Since DVP-SE is only compatible with DC power supply, Delta's power supply modules (DVPPS01/DVPPS02) are the suitable power supplies for DVP-SE. We suggest you install the protection circuit at the power supply terminal to protect DVPPS01 or DVPPS02. See the figure below.



[ Figure 4 ]

- |   |                                  |
|---|----------------------------------|
| ① AC power supply: 100 ~ 240VAC, 50/60Hz  | ② Breaker                        |
| ③ Emergency stop: This button cuts off the system power supply when accidental emergency takes place. |                                  |
| ④ Power indicator   | ⑤ AC power supply load           |
| ⑥ Power supply circuit protection fuse (2A)   | ⑦ DVPPS01/DVPPS02                |
| ⑧ DC power supply output: 24 VDC, 500 mA  | ⑨ DVP-PLC (main processing unit) |
| ⑩ Digital I/O module  |                                  |

## ◆ Input Point Wiring

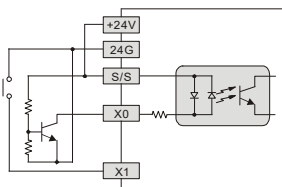
There are 2 types of DC inputs, SINK and SOURCE. (See the example below. For detailed point configuration, please refer to the specification of each model.)

### ● DC Signal IN – SINK mode

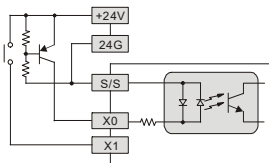
Input point loop equivalent circuit

### ● DC Signal IN – SOURCE mode

Input point loop equivalent circuit



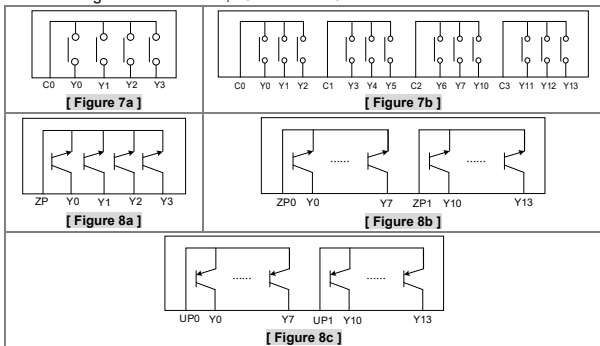
[ Figure 5 ]



[ Figure 6 ]

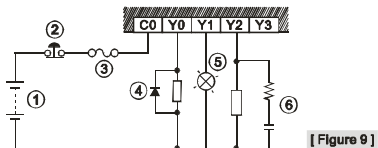
## ◆ Output Point Wiring

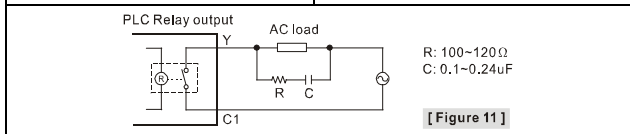
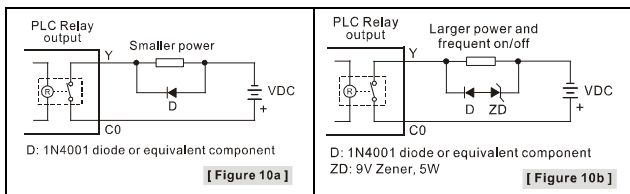
1. DVP-SE has three output modules on it, relay, transistor NPN and PNP. Be aware of the connection of shared terminals when wiring output terminals.
2. Relay output terminals, Y0 to Y3 of relay models use C0 common port. See [Figure 7a]. For the common port configuration of 26SE11R models, see [Figure 7b]. When the output points are enabled, their corresponding indicators on the front panel will be on.
3. Transistor output terminals, Y0 to Y3 of transistor (NPN) models use UP, ZP common port. Refer to [Figure 8a], [Figure 8b] and [Figure 8c] for the configuration of 12SE-T, 26SE-T and 26SE-S models.



4. Isolation circuit: The optical coupler is used to isolate signals between the circuit inside PLC and output modules.

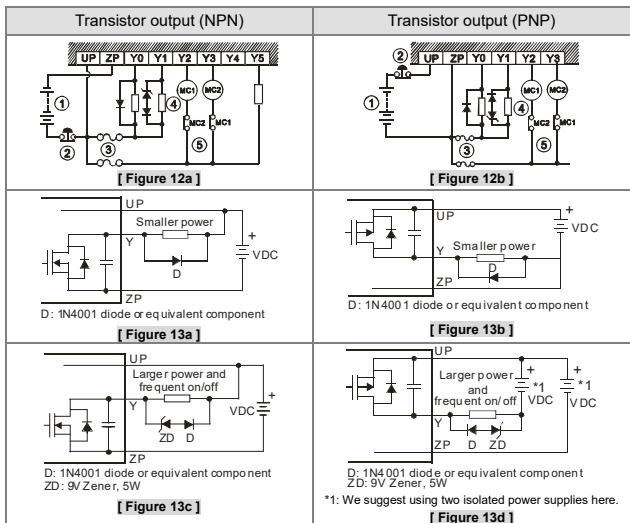
### • Relay (R) output circuit wiring





- |   |  |
|---|--|
| ① DC power supply   | ② Emergency stop: Uses external switch |
| ③ Fuse: 5 to 10A fuse at the shared terminal of output contacts to protect the output circuit       |  |
| ④ Transient voltage suppressor (SB360 3A 60V): Extends the life span of contact.                    |  |
| 1. Diode suppression of DC load: Used when in smaller power [Figure 10a]                            |  |
| 2. Diode + Zener suppression of DC load: Used when in larger power and frequent On/Off [Figure 10b] |  |
| ⑤ Incandescent light (resistive load)   |  |
| ⑥ Absorber: Reduces the interference on AC load [Figure 11]   |  |

### • Transistor output circuit wiring



- |                   |                  |                           |
|-------------------|------------------|---------------------------|
| ① DC power supply | ② Emergency stop | ③ Circuit protection fuse |
|-------------------|------------------|---------------------------|



- ④ The output of the transistor model is "open collector". If Y0/Y1 is set to pulse output, the output current has to be bigger than 0.1 A to ensure normal operation of the model.
1. Diode suppression: Used when in smaller power [Figure 13a] and [Figure 13b].
  2. Diode + Zener suppression: Used when in larger power and frequent On/Off [Figure 13c] and [Figure 13d]. Please be noticed that it is suggested to use two isolated power supplies(\*1) in [Figure 13d].
- ⑤ Manually exclusive output: For example, Y2 and Y3 control the forward running and reverse running of the motor, forming an interlock for the external circuit, together with the PLC internal program, to ensure safe protection in case of any unexpected errors.

## ◆ RS-485 Wiring

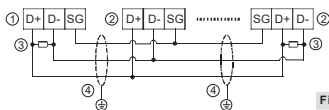


Figure 14

- ① Master node    ② Slave node    ③ Terminal resistor    ④ Shielded cable

### Note:

1. Terminal resistors are suggested to be connected to master and the last slave with resistor value of 120Ω.
2. To ensure communication quality, please apply double shielded twisted pair cable (20AWG) for wiring.

## ◆ Ethernet (RJ45) Wiring

Please use the twisted pair CAT-5e to connect the Ethernet RJ45 communication port.



8-1

① Tx+	⑤ N/C
② Tx-	⑥ Rx-
③ Rx+	⑦ N/C
④ N/C	⑧ N/C

Note: The DVP-SE series PLC is equipped with the Auto MDI/MDIX function. It does not need any jumper wire when it connects to the network device.

## ◆ Setting the Ethernet

The DVP-SE series PLC contains a built-in Ethernet communication port. Users have to set the network parameter before the PLC connects to other network devices. The default parameter setting values are 192.168.1.5 (the IP address) and 255.255.255.0 (the subnet mask). Users can set the parameter by using DCIsoft, or by using the PLC program to write the values into the network control register (CR).

- Software: Start the DCIsoft, and connect the PC to the DVP-SE series PLC through the ethernet cable. Enter "Communication Setting" page in DCIsoft, and choose "Ethernet" communication port. Then, click "Search" to search for the picture representing the DVP-SE series PLC. After users click the picture twice, the setting page appears. Finally, enter the related parameters, and click "Apply" to finish the setting.
- PLC program: Users use the instruction "To" to write the IP address (CR#88, 89) and the subnet mask (CR#90, 91). For example, when the IP address is 192.168.1.5, users write 192.168 (H'C0A8) into CR#89, and .1.5 into CR#88 (H'105).

Note: When users use the instruction "From/To" to read the data from the network control register and write the data into it, the module number is K108.

## ■ Precision of the RTC (Second/Month)

Temperature (°C/°F)	0/32	25/77	55/131
Maximum error (Second)	-117	52	-132

Duration in which the RTC is latched: Two weeks

感謝您採用台達 DVP 系列可程式控制器。DVP-SE 分別有內建 12 點 ( 8 數位輸入點 + 4 數位輸出點 ) 與 26 點 ( 14 數位輸入點 + 12 數位輸出點 ) PLC 主機，提供豐富的指令集，並具有 16k steps 的程式記憶體，可連接薄型全系列 I/O 模組與高速擴充模組，包含數位輸入輸出 ( 最大輸入輸出擴充點數可達 480 點 )、及類比模組 ( A/D、D/A 轉換及溫度單元 )。兩點 100 kHz 與兩點 10 kHz 高速脈波輸出可滿足各種應用場合，並且體積小，安裝容易。全系列採用免電池設計，其 PLC 程式與停電保持資料皆運用高速快閃記憶體儲存。

- ✦ 本安裝說明書提供給使用者電氣規格、功能規格、安裝配線之相關注意事項。其他詳細之程式設計及指令說明請見《DVP-SE 操作手冊：程式篇》，選購之周邊裝置詳細說明請見該產品隨機安裝說明書。
- ✦ 本機為開放型 ( OPEN TYPE ) 機殼，因此使用者使用本機時，必須將之安裝於具防塵、防潮及免於電擊/衝擊意外之外殼配線箱內。另必須具備保護措施 ( 如：特殊之工具或鑰匙才可打開 ) 防止非維護人員操作或意外衝擊本體，造成危險及損壞。
- ✦ 交流輸入電源不可連接於輸入/輸出信號端，否則可能造成嚴重損壞。請在上電之前再次確認電源配線。請勿在上電時觸摸任何端子。本體上之接地端子 ( ㊟ ) 務必正確的接地，可提高產品抗雜訊能力。
- ✦ 本機種 COM1 為 Mini USB 通訊口，僅供上下載 PLC 程序與暫時性偵錯使用，不建議運用於長時間性之監控功能。

## ■ 產品外觀部位介紹

- 12SE 詳細外觀圖示請參閱英文版 [Figure 1a]。單位：mm。

1. 電源、運行、錯誤與 COM1 狀態指示燈	9. 銘牌
2. RUN/STOP 開關	10. 右側 I/O 模組連接口
3. COM1 通訊口 ( Mini USB )	11. DIN 軌槽 ( 35mm )
4. 輸入/輸出端子與 COM3 ( RS-485 ) 通訊口	12. I/O 模組固定扣
5. 輸入/輸出點與 COM2、COM3 通訊指示燈	13. COM2 ( RS-485 ) 通訊口
6. 乙太網路通訊口	14. I/O 模組固定槽
7. DIN 軌固定扣	15. 電源輸入口
8. I/O 模組定位孔	16. 左側高速 I/O 模組連接口

- 26SE 詳細外觀圖示請參閱英文版 [Figure 1b]。單位：mm。

1. 機種名稱	8. DIN 軌固定扣
2. 電源、運行、錯誤、USB、COM2 狀態指示燈	9. COM2 ( RS-485 ) 通訊埠
3. 輸入 / 輸出端子	10. 標籤
4. 輸入 / 輸出指示燈	11. 電源輸入口
5. Mini USB 通訊埠	12. I/O 模組固定扣
6. 乙太網路通訊口	13. I/O 模組連接口
7. RUN/STOP 開關	14. DIN 軌槽 ( 35mm )

## ■ 電氣規格

項目	機種 DVP				
	12SE11R	12SE11T	26SE11R	26SE11T	26SE11S
電源電壓	24 VDC (-15 ~ 20%) ( 具直流輸入電源極性反接保護 ) DVPPS01/PS02：輸入 100 ~ 240 VAC · 輸出 24 VDC/1A (PS02: 2A)				

項目	機種 DVP				
	12SE11R	12SE11T	26SE11R	26SE11T	26SE11S
連接方式	脫落式歐式端子座 (端點距離: 3.5mm)				
動作規格	最大電源斷電時間 $\leq 10\text{ms}$				
突入電流	Max. 7.5 A@24 VDC, $I^2t = 0.25\text{A}^2\text{S}$				
電源保險絲容量	2.5 A/30 VDC · 可恢復式 (Polyswitch)				
消耗功率	1.8 W	1.5 W	3W	1.8W	1.7W
電源保護	具直流輸入電源極性反接保護				
絕緣阻抗	$> 5\text{M}\Omega$ (所有輸出/入點對地之間 500 VDC)				
雜訊免疫力	ESD (IEC 61131-2, IEC 61000-4-2): 8kV Air Discharge EFT (IEC 61131-2, IEC 61000-4-4): Power Line: 2kV, Digital I/O: 1kV, Analog & Communication I/O: 1kV RS (IEC 61131-2, IEC 61000-4-3): 26MHz ~ 1GHz, 10V/m				
接地	接地配線之線徑不得小於電源端配線線徑 (多台 PLC 同時使用時, 請務必單點接地)				
操作/儲存環境	操作: $0 \sim 55^\circ\text{C}$ (溫度) · $5 \sim 95\%$ (濕度) · 污染等級 2 儲存: $-25 \sim 70^\circ\text{C}$ (溫度) · $5 \sim 95\%$ (濕度) · 不可凝結				
耐振動衝擊	國際標準規範 IEC61131-2, IEC 68-2-6 (TEST Fc)/IEC61131-2 & IEC 68-2-27 (TEST Ea)				
重量(g)	145g	135g	175g	135g	135g

項目	機種	輸入點電氣規格 (單端共點輸入)		
		12SE / 26SE		26SE
輸入點 No.		X0 ~ X2 (12SE) X0 ~ X3 (26SE)	X3 ~ X7 (12SE) X4 ~ X7 (26SE)	X10~X15
輸入接線型式		由端子 S/S 變換接線為 SINK 或 SOURCE		
輸入信號電壓 ( $\pm 10\%$ )		24 VDC · 5 mA		
輸入點阻抗		4.7 k $\Omega$		
最大輸入頻率		100 kHz	10 kHz	50Hz
動作位準	Off $\rightarrow$ On	$> 15\text{VDC}$		
	On $\rightarrow$ Off	$< 5\text{VDC}$		
反應時間	Off $\rightarrow$ On	$< 2.5\ \mu\text{s}$	$< 20\ \mu\text{s}$	$< 10\text{ms}$
	On $\rightarrow$ Off	$< 5\ \mu\text{s}$	$< 50\ \mu\text{s}$	$< 10\text{ms}$
濾波時間		D1020 可針對 X0~X7 進行 0 ~ 20 ms 的調整 (預設: 10 ms) D1021 可針對 X10~X15 進行 0 ~ 20 ms 的調整 (預設: 10 ms)		

機種		輸出點電氣規格			
		繼電器		電晶體 ( NPN & PNP )	
項目					
輸出點 No.		Y0 ~ Y13		Y0, Y2	Y1, Y3 Y4~Y13
最高交換頻率		1 Hz		100 kHz	10 kHz 1kHz <sup>#4</sup>
電壓規格		100~250 VAC, 5~30 VDC		5 ~ 30 VDC <sup>#1</sup>	
漏電流		-		<100uA	
最大湧浪電流		-		電晶體-T ( 漏型 ): 10A 電晶體-S ( 源型 ): 4A ( 於 Ta=25°C, VDS=30VDC, 湧浪 持續時間=1ms 之測試條件 )	
最大負載	電阻性	1.5 A/1 點 ( 5 A/COM )		0.5 A/1 點 ( 4 A/COM )	
	電感性	#2		15 W ( 30 VDC )	
	燈泡	20 WDC/100 WAC		2.5 W ( 30 VDC )	
最小負載		1mA / 5V		1mA/5V	
反應時間	Off → On	約 10 ms		2 μs <sup>#3</sup>	20 μs <sup>#3</sup> 100μs <sup>#3</sup>
	On → Off			3 μs <sup>#3</sup>	30 μs <sup>#3</sup> 300μs <sup>#3</sup>

#1：UP, ZP 必須外加輔助電源 24 VDC ( -15 ~ +20% ) 額定消耗約 1 mA/點。

#2：繼電器接點壽命隨著工作電壓、負載種類 ( 功率因素  $\cos\theta$ 、時間常數  $t$  ) 及接點電流大小而有所不同，參考生命週期曲線圖預估可操作次數。生命週期曲線圖請參閱英文版 [Figure 2]。

#3：負載條件為 0.5A。

#4：此處最高輸出速度會受實際PLC掃描時間影響。

## ■ 輸入/輸出配置

機種	輸入單元		輸出單元		I/O 配置	
	點數	形式	點數	形式	繼電器	電晶體
DVP12SE11R	8	直流 ( Sink 或 Source )	4	繼電器	請參閱英文版圖示	
DVP12SE11T				電晶體 ( NPN )		
DVP26SE11R	14		12	繼電器		
DVP26SE11T				電晶體 ( NPN )		
DVP26SE11S				電晶體 ( PNP )		

## ■ 安裝方式

PLC 在安裝時，請裝配於封閉式之控制箱內，其周圍應保持一定之空間，以確保 PLC 散熱功能正常，請參閱英文版 [Figure 3]。

- 直接鎖螺絲方式：請依產品外型尺寸並使用 M4 螺絲。
- DIN 鋁軌之安裝方法：適用於 35mm 之 DIN 鋁軌。在將主機掛上鋁軌時，請先將主機 ( 或 I/O 模組 ) 下方之固定塑膠片，以一字形起子插入凹槽並向外撐開拉出，再將主機 ( 或 I/O 模組 ) 掛上鋁軌，之後將固定塑膠片壓扣回去即可。欲取下主機時，同樣以一字形起子先將固定塑膠片撐開，再將主機以往外向上的方式取出即可。該固定機構塑膠片為保持型，因此撐開後便不會彈回去。

## ■ 配線端子

1. 輸出入配線端請使用 22-16AWG (1.5mm) 單蕊裸線或多蕊線，端子規格如英文版之圖示。PLC 端子螺絲扭力為 1.90 kg-cm (1.65 in-lbs)。只能使用 60/75°C 的銅導線。
2. 空端子請勿配線。輸入點信號線與輸出點等動力線請勿置於同一線槽內。

3. 鎖螺絲及配線時請避免微小的金屬導體掉入 PLC 內部，並在配線完成後保持散熱空間。

#### ◆ 電源端

DVP-SE 機種為直流電源輸入，在使用上應注意下列事項：

1. 電源請接於 24VDC 及 0V 兩端，電源範圍為 20.4~28.8VDC，當電源電壓低於 17.5VDC 時，PLC 會停止運轉，輸出全部 Off，ERROR LED 快速閃爍。
2. 當停電時間低於 10ms 時，PLC 不受影響繼續運轉，當停電時間過長或電源電壓下降將使 PLC 停止運轉，輸出全部 Off，當電源恢復正常時，PLC 亦自動回復運轉。( PLC 內部具停電保持的輔助繼電器及暫存器，使用者在規劃程式設計時應特別注意使用。)

#### ◆ 安全配線回路

由於 DVP-SE 的電源為 DC Only 的機種，因此可搭配台達之電源供應模組 (DVPPS01/DVPPS02) 提供電源給 DVP-SE。為保護 DVPPS01/DVPPS02，建議可在電源的輸入回路端配置如下的保護回路，配置圖請參閱英文版 [Figure 4] 所示：

① 交流電源供應：100 ~ 240 VAC, 50/60 Hz	② 斷路器
③ 緊急停止：為預防突發狀況發生，設置緊急停止按鈕，可在狀況發生時，切斷系統電源。	
④ 電源指示燈	⑤ 交流電源負載
⑥ 電源回路保護用保險絲 ( 2A )	⑦ DVPPS01/DVPPS02 本體
⑧ 直流電源供應輸出：24 VDC，500 mA	⑨ DVP PLC 本體
⑩ 數位輸入/輸出模組	

#### ◆ 輸入點之配線

輸入點之入力信號為直流電源 DC 輸入型式，共有兩種接法：SINK 及 SOURCE，其定義與輸入點回路等效電路配線圖，請參閱英文版 [Figure 5] 及 [Figure 6]。

#### ◆ 輸出點之配線

1. DVP-SE 系列 PLC 輸出模組共有三種：繼電器、電晶體 NPN 與電晶體 PNP。輸出端在實際配線時，應特別注意共用端的連接。
2. 繼電器機種 12SE 輸出端 Y0~Y3 採用 C0 共點，請參閱英文版 [Figure 7a]。26SE11R 輸出端配置之共點配置，請參閱英文版 [Figure 7b]。動作指示：當輸出點動作時，正面的該點指示燈亮。
3. 電晶體機種輸出端採用 UP、ZP 共點設計，12SE-T、26SE-T 與 26SE-S 之配置，請分別參閱英文版 [Figure 8a]、[Figure 8b]與[Figure 8c]。
4. 隔離回路：PLC 內部回路與輸出點之間使用光耦合器作信號隔離。

##### ● 繼電器輸出回路配線

詳細配線圖請參閱英文版 [Figure 9] ~ [Figure 11]。

① 直流電源供給	② 緊急停止：使用外部開關
③ 保險絲：使用 5~10 A 的保險絲容量於輸出接點的共用點，保護輸出點回路	
④ 突波吸收二極體：可增加接點壽命。 <ol style="list-style-type: none"><li>1. DC 負載電源之二極體抑制：功率較小時使用 ( 請參閱英文版 [Figure 10a] )</li><li>2. DC 負載電源之二極體 + Zener 抑制：大功率且 On/Off 頻繁時使用 ( 請參閱英文版 [Figure 10b] )</li></ol>	
⑤ 白熾燈 ( 電阻性負載 )	
⑥ 突波吸收器：可減少交流負載上的雜訊 ( 請參閱英文版 [Figure 11] )	

## ● 電晶體輸出回路配線

詳細配線圖請參閱英文版 [Figure 12a] ~ [Figure 13d]。

- |          |        |              |
|----------|--------|--------------|
| ① 直流電源供應 | ② 緊急停止 | ③ 電路回路保護用保險絲 |
|----------|--------|--------------|
- ④ 突波吸收二極體：可增加接點壽命。
- DC 負載電源之二極體抑制：功率較小時使用 (請參閱英文版 [Figure 13a] 與 [Figure 13b])
  - DC 負載電源之二極體 + Zener 抑制：大功率且 On/Off 頻繁時使用 (請參閱英文版 [Figure 13c] 與 [Figure 13d]，請留意 [Figure 13d] 建議使用兩組隔離電源 (\*1))
- ⑤ 互斥輸出：例如，將 Y2 與 Y3 用以控制對應馬達的正轉及反轉，使外部電路形成互鎖，配合 PLC 內部程式，確保任何異常突發狀況發生時，均有安全的保護措施。

## ◆ RS-485 建議接線

詳細接線圖請參閱英文版 [Figure 14]。

- |      |      |        |       |
|------|------|--------|-------|
| ① 主站 | ② 從站 | ③ 終端電阻 | ④ 遮蔽線 |
|------|------|--------|-------|
- 註：1. 終端電阻建議連接於主站及最後一台從站上，且其電阻值建議為 120Ω。  
2. 為確保連線品質，線材建議使用具有雙層遮蔽線之通訊雙絞線 (20AWG)。

## ◆ 乙太網路(RJ45)接線說明

請使用 CAT-5e 雙絞線連接乙太網路 RJ45 通訊埠



① Tx+	④ N/C	⑦ N/C
② Tx-	⑤ N/C	⑧ N/C
③ Rx+	⑥ Rx-	

註：DVP-SE 系列具有 Auto MDI/MDIX 功能，與網路設備連接時無需跳線。

## ◆ 乙太網路設定方式

DVP-SE 系列內建乙太網路通訊埠，需設定網路參數後，才可與其他網路設備連結，其參數預設值為：192.168.1.5 (IP 地址)、255.255.255.0 (子網路遮罩)。使用者可透過 DCISoft 網路參數設定軟體或 PLC 程式寫入網路控制暫存器(CR)兩種方式進行參數設定。

- 專用軟體：於 PLC 編輯軟體中開啟 DCISoft，並以網路線連接 PC 與 DVP-SE 系列設備，接著進入 DCISoft 的“通訊設定”之頁面，並確認選擇“Ethernet”通訊口之後，再按下“搜尋”功能後，即可找到 DVP-SE 機種之圖示；“雙擊”圖示後可開啟相關設定頁面，並於設定頁面中，輸入 IP 等相關參數後，按下“套用”即可完成設定。
- PLC 程式：透過 PLC 編輯軟體撰寫 “To 指令” 寫入 IP 地址 (CR#88, 89)與子網路遮罩(CR#90,91)，例如 IP 地址為：192.168.1.5，則將 CR#89 寫入 192.168 (H'COA8)；CR#88 寫入 1.5 (H'105)。

註：DVP-SE 系列透過 From/To 指令讀寫網路控制暫存器(CR)時，其模組編號固定設定為 K108。

## ■ 萬年曆的精度 (秒 / 月)

溫度 (°C/°F)	0/32	25/77	55/131
最大誤差 (秒)	-117	52	-132

萬年曆停電保持時間：兩週

感谢您采用台达 DVP 系列可编程控制器。DVP-SE 分别有内建 12 点 (8 数字量输入点 + 4 数字量输出点) 与 26 点 (14 数字量输入点 + 12 数字量输出点) PLC 主机，提供丰富的指令集，并具有 16k steps 的程序内存，可连接薄型全系列 I/O 模块与高速扩展模块，包含数字量输入/输出 (最大输入/输出扩展点数可达 480 点)、及模拟量模块 (A/D、D/A 转换及温度单元)。两点 100 kHz 与两点 10 kHz 高速脉冲输出可满足各种应用场合，并且体积小，安装容易。全系列采用免电池设计，其 PLC 程序与停电保持数据皆运用高速闪存储存。

- ✦ 本安装说明书提供给使用者电气规格、功能规格、安装配线的相关注意事项。其它详细的程序设计及指令说明请见《DVP-SE 操作手册：程序篇》，选购的周边装置详细说明请见该产品随机安装说明书。
- ✦ 本机为开放型 (OPEN TYPE) 机种，因此使用者使用本机时，必须将的安装于具防尘、防潮及免于电击/冲击意外之外壳配线箱内。另必须具备保护措施 (如：特殊的工具或钥匙才可打开) 防止非维护人员操作或意外冲击本体，造成危险及损坏。
- ✦ 交流输入电源不可连接于输入/出信号端，否则可能造成严重损坏，请在上电的前再次确认电源配线。请勿在上电时触摸任何端子。本体上的接地端子 (Ⓧ) 务必正确的接地，可提高产品抗干扰能力。
- ✦ 本机种 COM1 为 Mini USB 通讯口，仅供上下载 PLC 程序与暂时性侦错使用，不建议运用于长时间性之监控功能。

## ■ 产品外观部位介绍

- 12SE 详细外观图示请参阅英文版 [Figure 1a]。单位：mm。

1. 电源、运行、错误与 COM1 状态指示灯	8. 铭牌
2. RUNSTOP 开关	9. 右侧 I/O 模块连接口
3. COM1 通讯口 (Mini USB)	11. DIN 轨槽 (35mm)
4. 输入/输出端子与 COM3 (RS-485) 通讯口	12. I/O 模块固定扣
5. 输入输出点与 COM2、COM3 通讯指示灯	13. COM2 (RS-485) 通讯口
6. 以太网网络通讯口	14. I/O 模块固定槽
7. DIN 轨固定扣	15. 电源输入口
8. I/O 模块定位孔	16. 左侧高速 I/O 模块连接口

- 26SE 详细外观图示请参阅英文版 [Figure 1b]。单位：mm。

1. 机种名称	8. DIN 轨固定扣
2. 电源、运行、错误、USB、COM2 状态指示灯	9. COM2 (RS-485) 通讯端口
3. 输入 / 输出端子	10. 标签
4. 输入 / 输出指示灯	11. 电源输入口
5. Mini USB 通讯端口	12. I/O 模块固定扣
6. 以太网网络通讯口	13. I/O 模块连接口
7. RUN/STOP 开关	14. DIN 轨槽 (35mm)

## ■ 电气规格

项目	机种 DVP				
	12SE11R	12SE11T	26SE11R	26SE11T	26SE11S
电源电压	24 VDC (-15 ~ 20%) (具直流输入电源极性反接保护) DVPPS01/PS02: 输入 100 ~ 240 VAC · 输出 24 VDC/1A (PS02: 2A)				
连接方式	脱落式欧式端子座 (端点距离: 3.5mm)				

项目	机种 DVP				
	12SE11R	12SE11T	26SE11R	26SE11T	26SE11S
动作规格	最大电源断电时间 $\leq 10\text{ms}$				
突入电流	Max. 7.5 A@24 VDC, $I^2t = 0.25\text{A}^2\text{S}$				
电源保险丝容量	2.5 A/30 VDC · 可恢复式 ( Polyswitch )				
消耗功率	1.8 W	1.5 W	3W	1.8W	1.7W
电源保护	具直流输入电源极性反接保护				
绝缘阻抗	$> 5\text{M}\Omega$ ( 所有输出/入点对地之间 500 VDC )				
噪声免疫力	ESD (IEC 61131-2, IEC 61000-4-2): 8kV Air Discharge EFT (IEC 61131-2, IEC 61000-4-4): Power Line: 2kV, Digital I/O: 1kV, Analog & Communication I/O: 1kV RS (IEC 61131-2, IEC 61000-4-3): 26MHz ~ 1GHz, 10V/m				
接地	接地配线之线径不得小于电源端配线线径 ( 多台 PLC 同时使用时 · 请务必单点接地 )				
操作/储存环境	操作 : $0 \sim 55^\circ\text{C}$ ( 温度 ) · $5 \sim 95\%$ ( 湿度 ) · 污染等级 2 储存 : $-25 \sim 70^\circ\text{C}$ ( 温度 ) · $5 \sim 95\%$ ( 湿度 ) · 不可凝结				
耐振动冲击	国际标准规范 IEC61131-2, IEC 68-2-6 (TEST Fc)/IEC61131-2 & IEC 68-2-27 (TEST Ea)				
重量(g)	145g	135g	175g	135g	135g

项目	机种	输入点电气规格 ( 单端共点输入 )		
		12SE / 26SE		26SE
输入点 No.		X0 ~ X2 (12SE) X0 ~ X3 (26SE)	X3 ~ X7 (12SE) X4 ~ X7 (26SE)	X10~X15
输入接线型式		由端子 S/S 变换接线为 SINK 或 SOURCE		
输入信号电压 ( $\pm 10\%$ )		24 VDC · 5 mA		
输入点阻抗		4.7 k $\Omega$		
最大输入频率		100 kHz	10 kHz	50Hz
动作位准	Off $\rightarrow$ On	$> 15\text{VDC}$		
	On $\rightarrow$ Off	$< 5\text{VDC}$		
反应时间	Off $\rightarrow$ On	$< 2.5\ \mu\text{s}$	$< 20\ \mu\text{s}$	$< 10\text{ms}$
噪声抑制	On $\rightarrow$ Off	$< 5\ \mu\text{s}$	$< 50\ \mu\text{s}$	$< 10\text{ms}$
滤波时间		D1020 可针对 X0~X7 进行 0 ~ 20 ms 的调整 ( 预设 : 10 ms ) D1021 可针对 X10~X15 进行 0 ~ 20 ms 的调整 ( 预设 : 10 ms )		



机种		输出点电气规格				
		继电器		晶体管 ( NPN & PNP )		
输出点 No.		Y0 ~ Y13		Y0, Y2	Y1, Y3	Y4~Y13
最高交换频率		1 Hz		100 kHz	10 kHz	1kHz <sup>#4</sup>
电压规格		100~250 VAC, 5~30 VDC		5 ~ 30 VDC <sup>#1</sup>		
漏电流		-		<100uA		
最大浪涌电流		-		晶体管-T ( 漏型 ): 10A 晶体管-S ( 源型 ): 4A ( 于 Ta=25°C, VDS=30VDC, 浪涌持续时间=1ms 之测试条件 )		
最大负载	电阻性	1.5 A/1 点 ( 5 A/COM )		0.5 A/1 点 ( 4 A/COM )		
	电感性	#2		15 W ( 30 VDC )		
	灯泡	20 WDC/100 WAC		2.5 W ( 30 VDC )		
最小负载		1mA/5V		1mA/5V		
反应时间	Off → On	约 10 ms		2 μs <sup>#3</sup>	20 μs <sup>#3</sup>	100μs <sup>#3</sup>
	On → Off			3 μs <sup>#3</sup>	30 μs <sup>#3</sup>	300μs <sup>#3</sup>

#1 : UP, ZP 必须外加辅助电源 24 VDC ( -15 ~ +20% ) 额定消耗约 1 mA/点。

#2 : 继电器接点寿命随着工作电压、负载种类 ( 功率因素  $\cos\phi$ 、时间常数  $t$  )、及接点电流大小而有所不同。参考生命周期曲线图预估可操作次数。生命周期曲线图请参阅英文版 [Figure 2]。

#3 : 负载条件为 0.5A。

#4 : 此处最高输出速度会受实际 PLC 扫描时间影响。

## ■ 输入/输出配置

机种	输入单元		输出单元		I/O 配置	
	点数	形式	点数	形式	继电器	晶体管
DVP12SE11R	8	直流 ( 漏型或源型 )	4	继电器	请参阅英文版图示	
DVP12SE11T				晶体管 ( NPN )		
DVP26SE11R	14		12	继电器		
DVP26SE11T				晶体管 ( NPN )		
DVP26SE11S			晶体管 ( PNP )			

## ■ 安装方式

PLC 在安装时，请装配于封闭式的控制箱内，其周围应保持一定的空间，以确保 PLC 散热功能正常，请参阅英文版 [Figure 3]。

- 直接锁螺丝方式：请依产品外型尺寸并使用 M4 螺丝。
- DIN 铝轨的安装方法：适用于 35mm 的 DIN 铝轨。在将主机挂上铝轨时，请先将主机 ( 或 I/O 模块 ) 下方的固定塑料片，以一字形起子插入凹槽并向外撑开拉出，再将主机 ( 或 I/O 模块 ) 挂上铝轨，之后将固定塑料片压扣回去即可。欲取下主机时，同样以一字形起子先将固定塑料片撑开，再将主机以往外向上的方式取出即可。该固定机构塑料片为保持型，因此撑开后便不会弹回去。

## ■ 配线端子

1. 输出配线端请使用 22 ~ 16AWG ( 1.5mm ) 单蕊裸线或多蕊线，端子规格如英文版之图示。PLC 端子螺丝扭力为 1.90 kg-cm ( 1.65 in-lbs )。只能使用 60/75°C 的铜导线。
2. 空端子请勿配线。输入点信号线与输出点等动力线请勿置于同一线槽内。
3. 锁螺丝及配线时请避免微小的金属导体掉入 PLC 内部，并在配线完成后保持散热空间。

## ◆ 电源端

DVP-SE 机种为直流电源输入，在使用上应注意下列事项：

1. 电源请接于 24 VDC 及 0 V 两端，电源范围为 20.4 ~ 28.8 VDC，当电源电压低于 17.5 VDC 时，PLC 会停止运行，输出全部 Off，ERROR LED 快速闪烁。
2. 当停电时间低于 10 ms 时，PLC 不受影响继续运转，当停电时间过长或电源电压下降将使 PLC 停止运转，输出全部 Off，当电源恢复正常时，PLC 亦自动回复运转。(PLC 内部具停电保持的辅助继电器及寄存器，使用者在规划程序设计时应特别注意使用。)

## ◆ 安全配线回路

由于 DVP-SE 的电源为 DC Only 的机种，因此可搭配台达的电源供应模块 (DVPPS01/DVPPS02) 提供电源给 DVP-SE。为保护 DVPPS01/DVPPS02，建议在电源的输入回路端配置如下的保护回路，配置图请参阅英文版 [Figure 4] 所示：

① 交流供应电源：100 ~ 240 VAC, 50/60 Hz	② 断路器
③ 紧急停止：为预防突发状况发生，设置紧急停止按钮，可在状况发生时，切断系统电源。	
④ 电源指示灯	⑤ 交流电源负载
⑥ 电源回路保护用保险丝 (2 A)	⑦ DVPPS01/DVPPS02 本体
⑧ 直流供应电源输出：24 VDC，500 mA	⑨ DVP PLC 本体
⑩ 数字量输入输出模块	

## ◆ 输入点的配线

输入点的接入信号为直流电源 DC 输入，DC 型式共有两种接法：漏型及源型，其定义与输入点回路等效电路配线图，请参阅英文版 [Figure 5] 及 [Figure 6]。

## ◆ 输出点的配线

1. DVP-SE 系列 PLC 输出模块共有三种：继电器、晶体管-NPN 与晶体管-PNP。输出端在实际配线时，应特别注意共享端的连接。
2. 继电器机种 12SE 输出端 Y0 ~ Y3 采用 C0 共点，请参阅英文版 [Figure 7a] 26SE11R 输出端配置之共点配置，请参阅英文版 [Figure 7b]。动作指示：当输出点动作时，正面的该点指示灯亮。
3. 晶体管机种输出端采用 UP、ZP 共点设计，12SE-T、26SE-T 与 26SE-S 之配置，请分别参阅英文版 [Figure 8a]、[Figure 8b]与[Figure 8c]。
4. 隔离回路：PLC 内部回路与输出点之间使用光耦合器作信号隔离。

### ● 继电器输出回路配线

详细配线图请参阅英文版 [Figure 9] ~ [Figure 11]。

① 直流电源供给	② 紧急停止：使用外部开关
③ 保险丝：于输出接点的公共端使用容量 5 ~ 10A 的保险丝，保护输出点回路	
④ 突波吸收二极管：可增加接点寿命。 <ol style="list-style-type: none"><li>1. DC 负载电源的二极管抑制：功率较小时使用 (请参阅英文版 [Figure 10a])</li><li>2. DC 负载电源的二极管 + Zener 抑制：大功率及 On/Off 频繁时使用 (请参阅英文版 [Figure 10b])。</li></ol>	
⑤ 白炽灯 (电阻性负载)	
⑥ 突波吸收器：可减少交流负载上的干扰 (请参阅英文版 [Figure 11])	

- 晶体管输出回路配线

详细配线图请参阅英文版 [Figure 12a] ~ [Figure 13d]。

- |          |        |              |
|----------|--------|--------------|
| ① 直流供应电源 | ② 紧急停止 | ③ 电路回路保护用保险丝 |
|----------|--------|--------------|
- ④ 突波吸收二极管：可增加接点寿命。
- DC 负载电源之二极管抑制：功率较小时使用（请参阅英文版 [Figure 13a] 与 [Figure 13b]）
  - DC 负载电源之二极管 + Zener 抑制：大功率且 On/Off 频繁时使用（请参阅英文版 [Figure 13c] 与 [Figure 13d]，请留意 [Figure 13d] 建议使用两组隔离电源（\*1））
- ⑤ 互斥输出：例如，将 Y2 与 Y3 用以控制对应马达的正转及反转，使外部电路形成互锁，配合 PLC 内部程序，确保任何异常突发状况发生时，均有安全的保护措施。

- ◆ RS-485 建议接线

详细接线图请参阅英文版 [Figure 14]。

- |      |      |        |       |
|------|------|--------|-------|
| ① 主站 | ② 从站 | ③ 终端电阻 | ④ 屏蔽线 |
|------|------|--------|-------|

注：1. 终端电阻建议连接于主站及最后一台从站上，且其阻值建议为 120Ω。  
2. 为确保联机质量，线材建议使用具有双层屏蔽线的通讯双绞线（20AWG）。

- ◆ 以太网网络(RJ45)接线说明

请使用 CAT-5e 双绞线连接以太网网络 RJ45 通讯端口



- |       |       |
|-------|-------|
| ① Tx+ | ⑤ N/C |
| ② Tx- | ⑥ Rx- |
| ③ Rx+ | ⑦ N/C |
| ④ N/C | ⑧ N/C |

注：DVP-SE 系列具有 Auto MDI/MDIX 功能，与网络设备连接时无需跳线。

- ◆ 以太网网络设定方式

DVP-SE 系列内建以太网网络通讯端口，需设定网络参数后，才可与其它网络设备连结，其参数默认值为：192.168.1.5 (IP 地址)、255.255.255.0 (子网掩码)。使用者可透过 DCISoft 网络参数设定软件或 PLC 程序写入网络控制寄存器(CR)两种方式进行参数设定。

- 专用软件：于 PLC 编辑软件中开启 DCISoft，并以网络线连接 PC 与 DVP-SE 系列设备，接着进入 DCISoft 的“通讯设定”之页面，并确认选择“Ethernet”通讯口之后，再按下“搜寻”功能后，即可找到 DVP-SE 机种之图示；“双击”图示后可开启相关设定页面，并于设定页面中，输入 IP 等相关参数后，按下“套用”即可完成设定。
- PLC 程序：透过 PLC 编辑软件撰写“To 指令”写入 IP 地址 (CR#88, 89) 与子网掩码(CR#90,91)，例如 IP 地址为：192.168.1.5，则将 CR#89 写入 192.168 (H'C0A8)；CR#88 写入 1.5 (H'105)。

注：DVP-SE 系列透过 From/To 指令读写网络控制寄存器(CR)时，其模块编号固定设定为 K108。

- 万年历的精度 (秒 / 月)

温度 (°C/°F)	0/32	25/77	55/131
最大误差 (秒)	-117	52	-132

万年历停电保持时间：两周